

The specification of RGB26w module



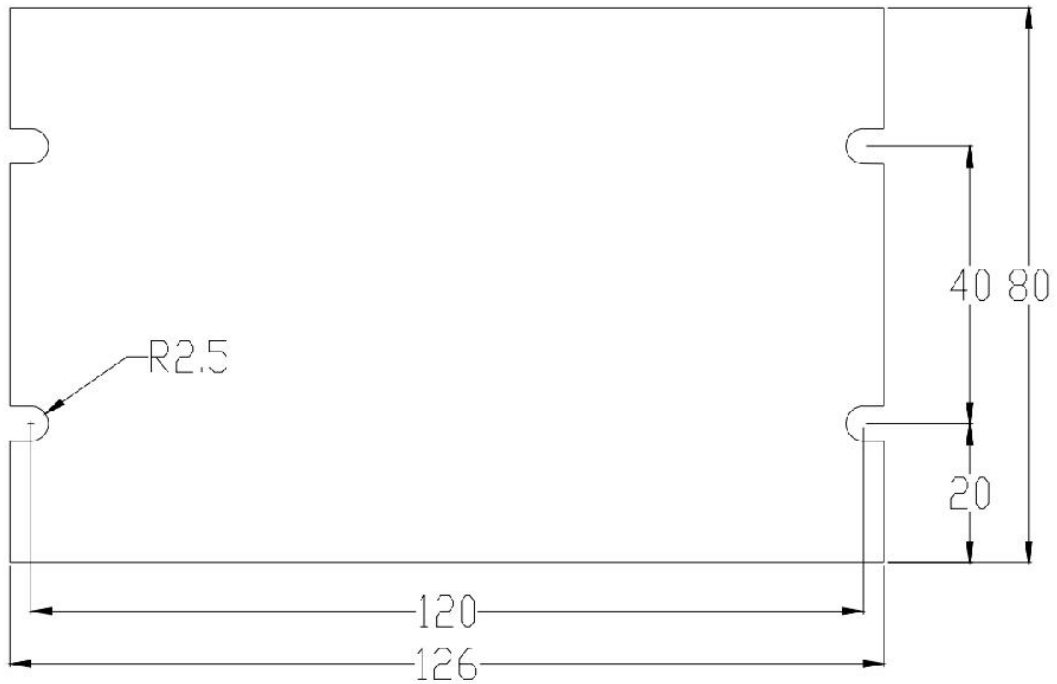
RGB26w (Red7w/638nm; Green8w/525nm; Blue11w/445nm)

the size: 268 * 178 * 48mm

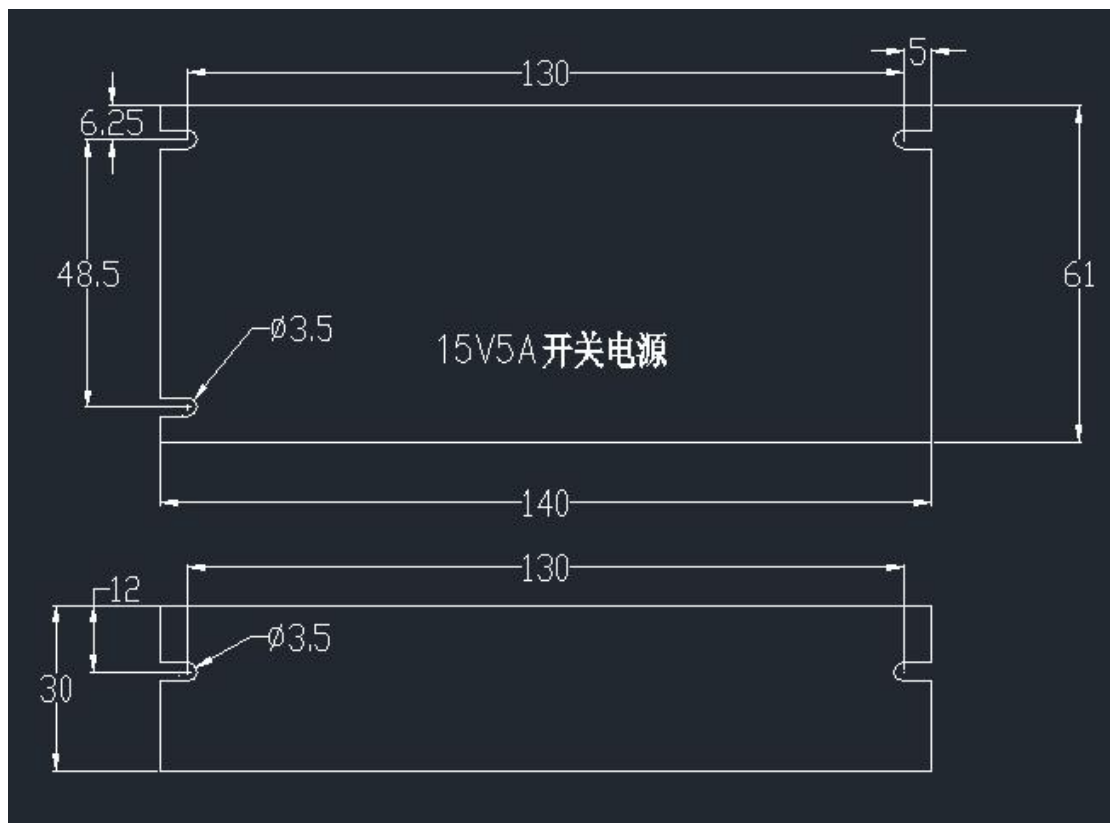
The weight: 6.8kg (include driver and power supply)

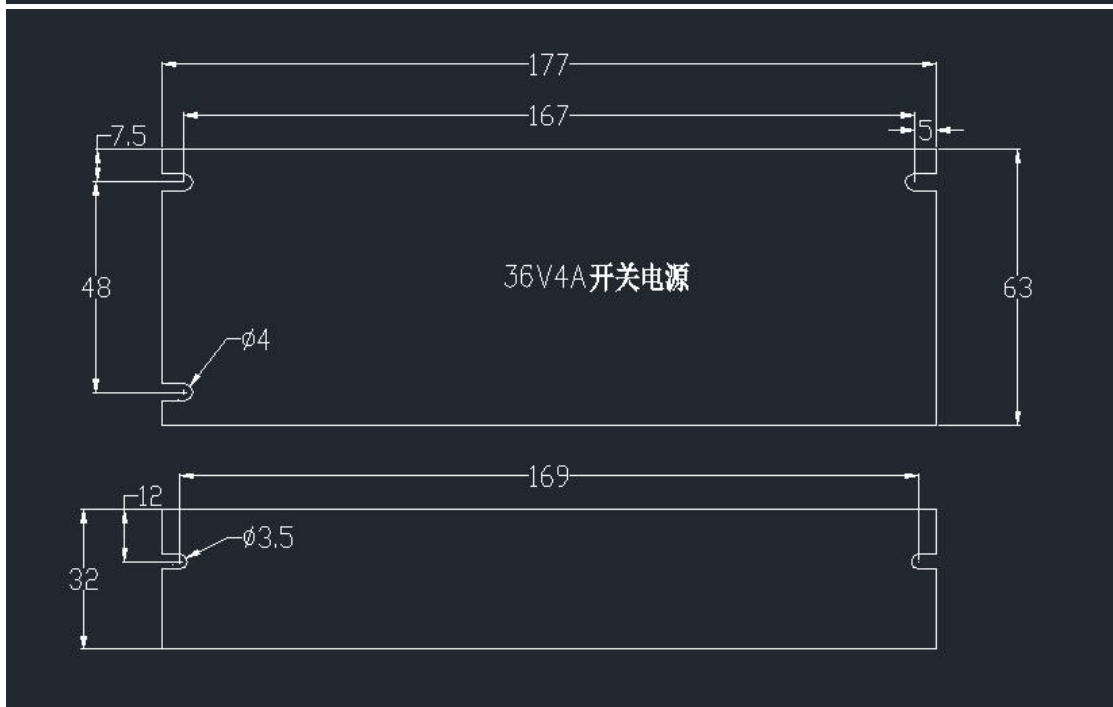
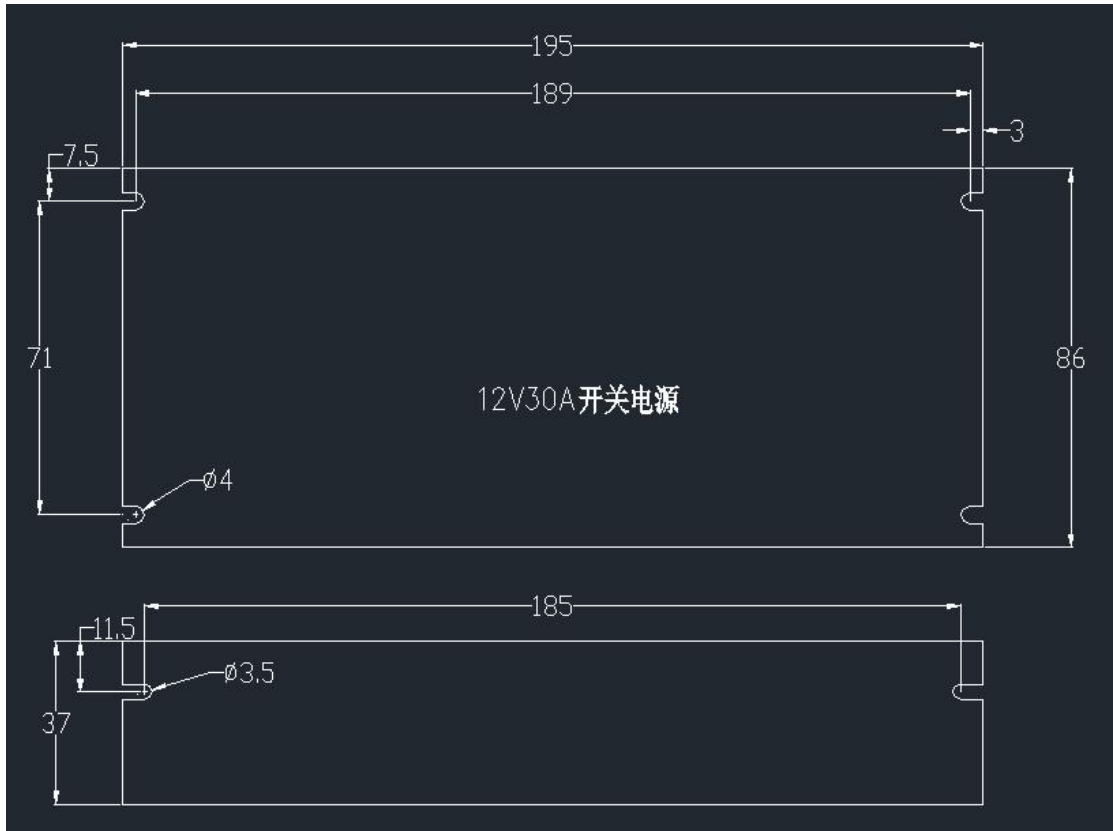
The power: 26.8w

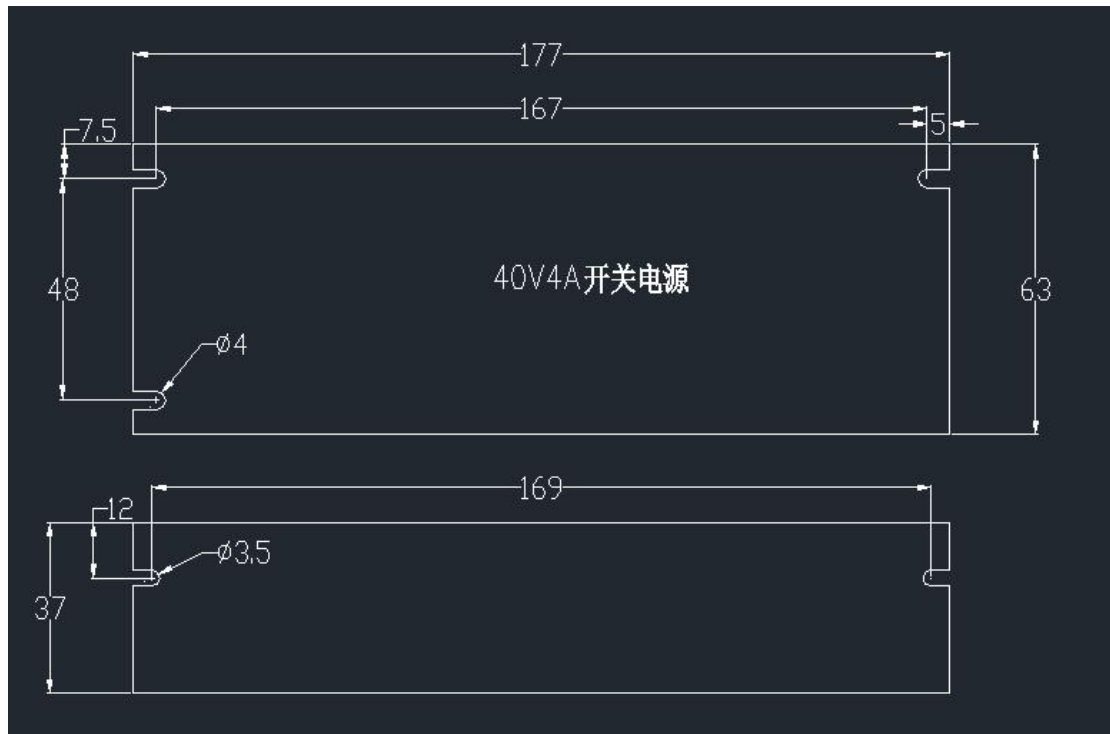
Total three driver as below: (size is 12*80mm)



Total four power supply as below: (each size is 140*61*30mm;
195*86*37mm; 177*63*32mm; 177*63*37mm)







Red color:

Power: 6.96w

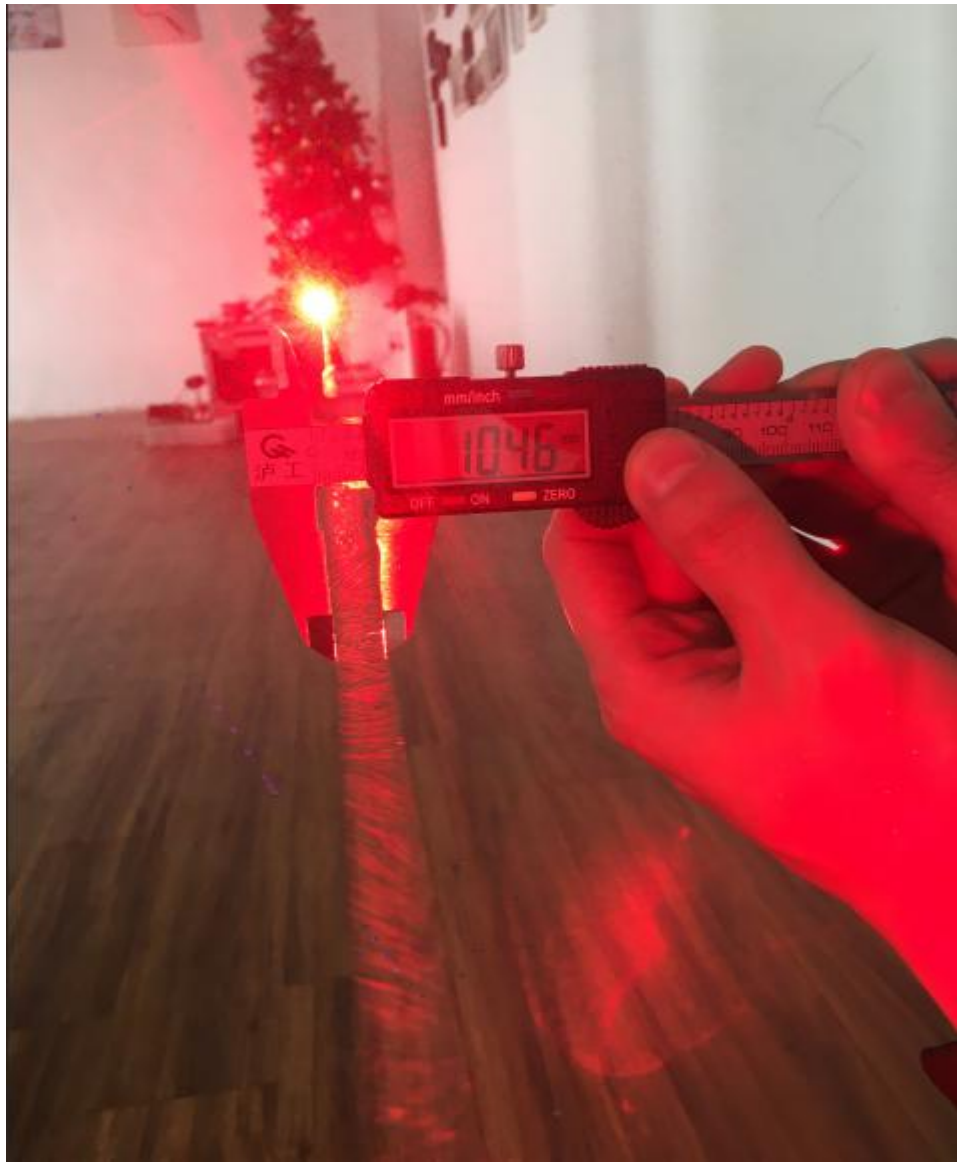
Size: 8.84mm at aperture;

10.46mm at 5 meters away;

14.44mm at 10 meters away;









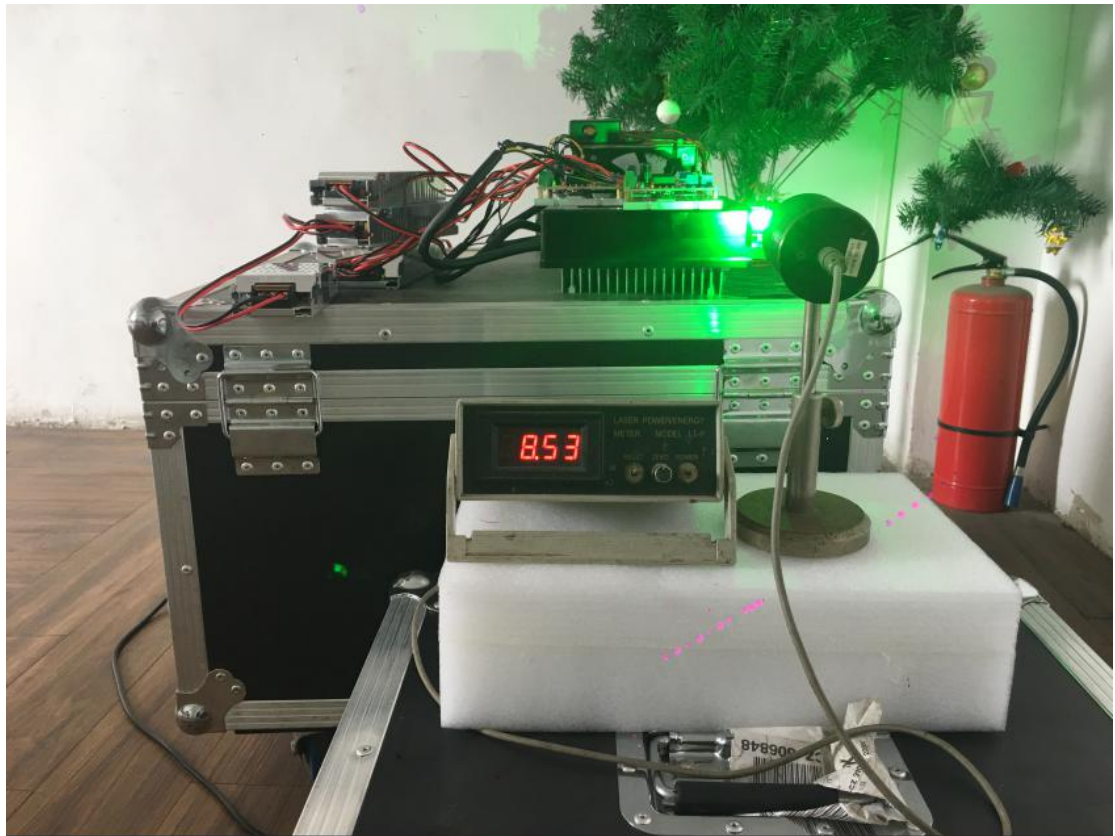
Green color:

Power:8.53w

Size: 6.79mm at aperture

8.45mm at 5 meters away

13.24mm at 10 meters away









Blue color:

Power:11.3w

Size: 5.18mm at aperture

10.27mm at 5 meters away

16.42mm at 10 meters away







